



NEW 24000 BTU VERSION

INVERTER BLDC HIGH PERFORMANCE SELF-CONTAINED UNIT



ADVANTAGE OF USE

- Very compact design and low weight
- 50% higher energy efficiency compared to ON/OFF
- Highest comfort: silent operation and stable temperature
- Lowest consumption: 400 W max input power in ECO mode
- Elimination of peak current at start-up (only 2,5 A max)

EASY INSTALLATION

The compact overall dimensions and low weight allow the installation onboard all types of boat

ACCESSORIES



WI-FI MODULE WITH CONTROL APP

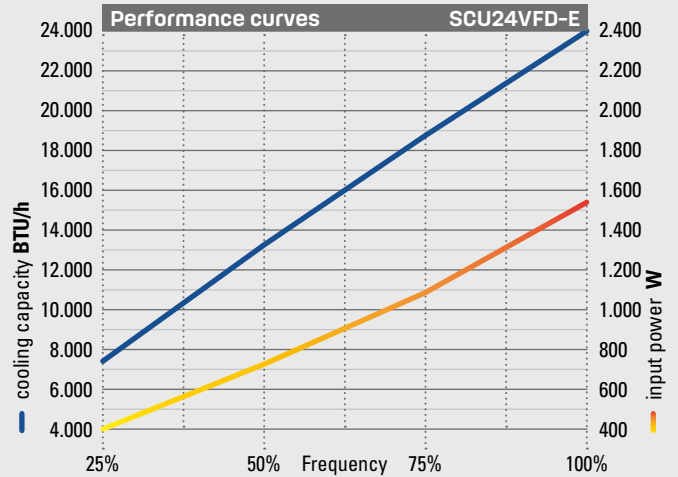


UVA/C LED AIR STERILIZER KIT



SCU24VFD-E

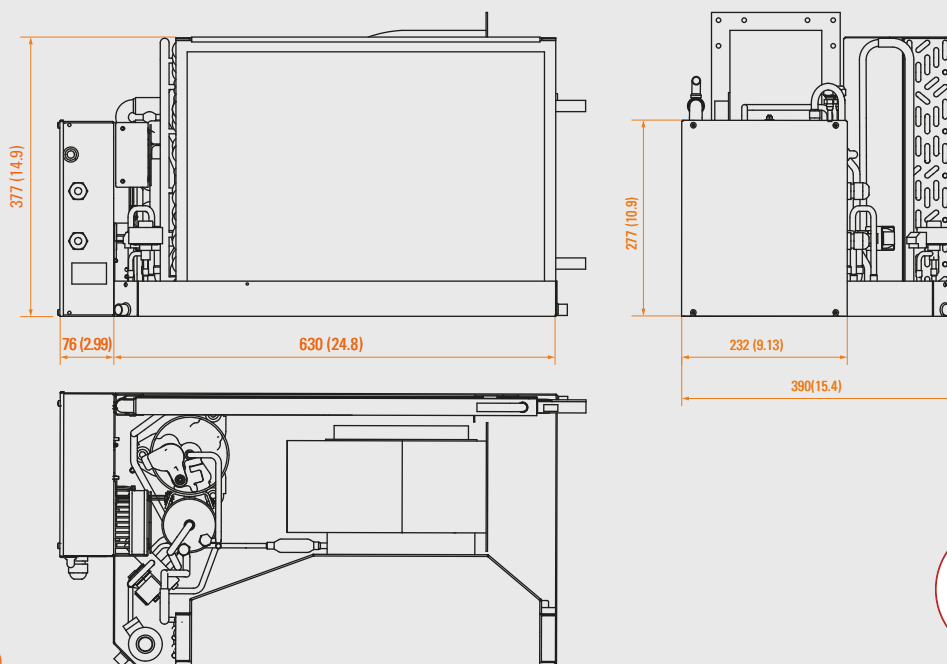
Max Cooling/Heating capacity
24.000 BTU/h
 Dimensions
600 x 390 x 377 mm



MODEL

| | SCU24VFD-E |
|------------------------------------|---|
| Width | 630 mm - 24.8 in |
| Height* | 377 mm - 14.9 in |
| Depth | 390 mm - 15.4 in |
| Weight (including electrical box) | 23 kg - 50.7 lb |
| Remote Electric box dimensions | 232 x 277 x 76 mm - 9.13 x 10.90 x 2.99 in |
| Voltage/phase/ cycle | 230 V / 1ph / 50-60 Hz |
| Max Cooling/Heating capacity | 24.000 BTU/h |
| Max input power | 1.550 W |
| Max Current | 7,1 A |
| Energy label (EN14825) | A |
| Cooling capacity ECO** | 7.100 BTU/h |
| Input power ECO mode** | 400 W |
| Max seawater flow-pressure drop*** | 1,6 m ³ /h - 6 m H ₂ O - 7.0 gpm - 19.7 feet H ₂ O |
| Min seawater flow-pressure drop*** | 1,3 m ³ /h - 4 m H ₂ O - 5.7 gpm - 13.1 feet H ₂ O |
| Air exit duct diameter | 180 mm - 7.08 in |
| Refrigerant R410A | 0,750 kg - 1.65 lb |

* including electrical box ** minimum fan speed *** only considering the seawater condenser



dimensions in mm (inch)



MANUFACTURERS

FRIGOMAR s.r.l.

Via Vittorio Veneto, 112 - Loc. Rivarola - 16042 CARASCO (Genoa) Italy
 Tel: +39 0185 38.48.88 - Fax: +39 0185 38.47.88 - E-mail: frigomar@frigomar.com

FRG-DS-SCU24-2024-01